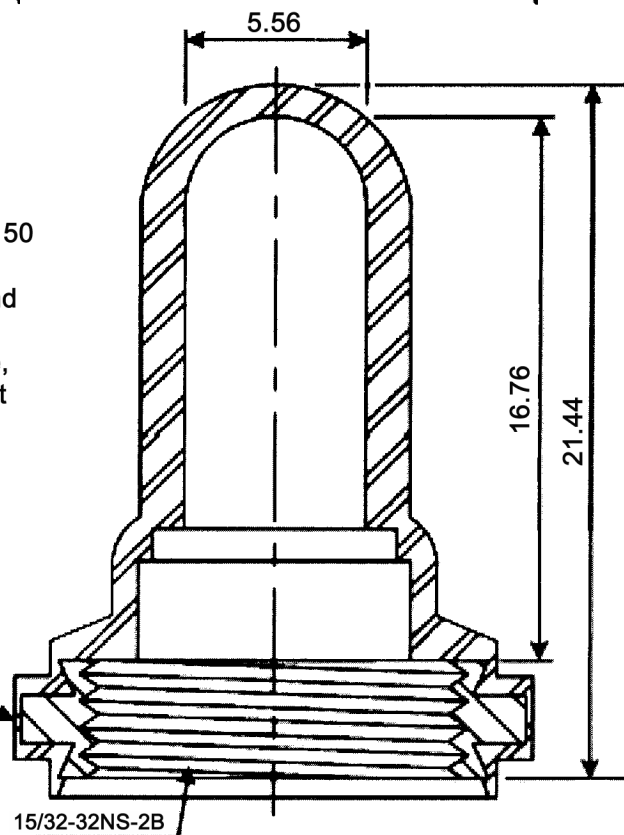


**Specifications:**

Operating temperature: -34°C to +204°C  
 Mechanical life: 50 000 cycles min.  
 Material: silicone rubber conforms to ZZ-R-765 class III, GR 50  
 Mounting nut: brass, nickel plated  
 Pressure range: exceeds 15 psi internal and 1500 psi external  
 Resistant to: salt spray, sunlight, ozone, weather, fungus, and most acids and lubricating oils



Tolerances:			Date	Name
			12/07	dr
Modifications	Date	Name		

**ET 307**

**knitter-switch**

**30 13 11**

Page  
1/1